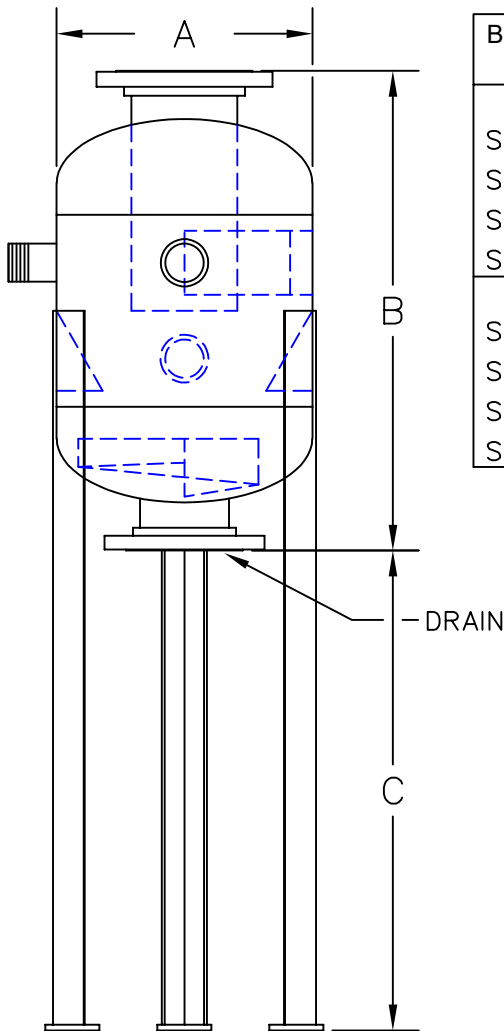
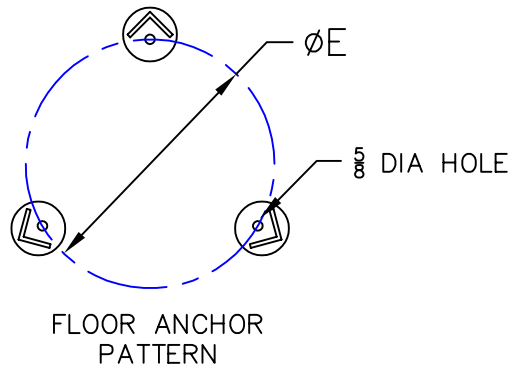
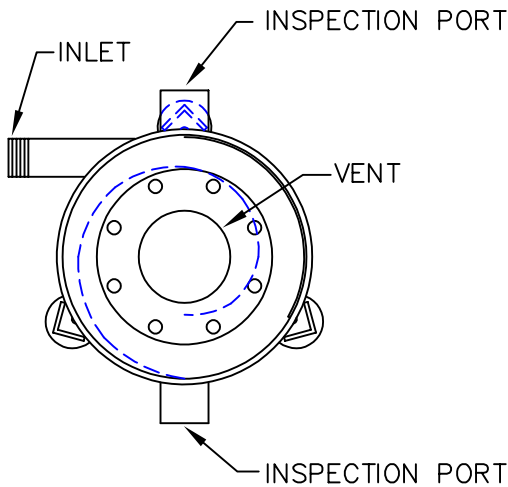


BLOWDOWN SEPERATOR DIMENSIONS & MODEL SELECTION

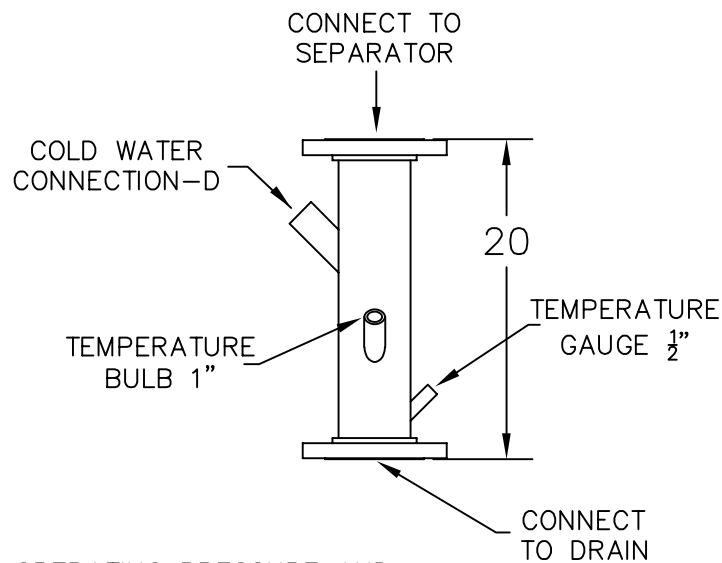


3524 EAST 4th STREET
HUTCHINSON, KS 67501
PH: (620) 662-6693



BD SEPARATOR PART NO.	INLET	DRAIN	VENT	A	B	C	D	E
BOILER OPERATING PRESSURE UP TO 150 PSIG								
SBDS-1032-132.5	1"	2½"	3"	10¾"	33¾"	27¾"	1"	10¼"
SBDS-1630-1.2544	1¼"	4"	4"	16"	30"	30"	1¼"	15 ⁹ / ₁₆ "
SBDS-1630-1.554	1½"	4"	5"	16"	30"	30"	1½"	15 ⁹ / ₁₆ "
SBDS-1642-265	2"	5"	6"	16"	42"	36"	2"	15 ⁹ / ₁₆ "
BOILER OPERATING PRESSURE UP TO 250 PSIG								
SBDS-1638-144	1"	4"	4"	16"	38"	30"	1¼"	15 ⁹ / ₁₆ "
SBDS-1638-1.2554	1¼"	4"	5"	16"	38"	30"	1¼"	15 ⁹ / ₁₆ "
SBDS-1638-1.565	1½"	5"	6"	16"	38"	36"	1½"	15 ⁹ / ₁₆ "
SBDS-1644-286	2"	6"	8"	16"	44"	36"	2"	15 ⁹ / ₁₆ "

AFTERCooler DETAIL



1. SELECT MODEL # BASED ON BOILER OPERATING PRESSURE AND BOTTOM BLOWDOWN CONNECTION SIZE.
2. CONNECTION SIZES 2 AND SMALLER ARE THREADED. SIZES 2½" AND LARGER ARE 150# RF ANSI FLANGES.
3. ALL MODELS RATED 150 PSIG ASME SECT VIII, DIV 1.
4. FOR COMPLETE PACKAGE WITH AFTERCooler & PIPING, ADD SUFFIX -AC TO MODEL #.